

WAFER SWING CHECK VALVE

Ref. 364/365

Ref. : DS 364

Rev. : 5

Date : 11/08

Page 1/1



Valves and fittings

90 rue du ruisseau 38297 ST QUENTIN FALLAVIER
Tel:(33)04.74.94.15.90 Fax:(33)04.74.95.62.08
E.mail : sferaco@sferaco.fr

SPECIFICATIONS :

- . Swing check type
- . Between flanged GN10/16

USE :

- . Max. Temperature Ts : 100°C for 364
- . Max. Temperature Ts : 200°C for 365
- . Max. pressure Ps : 16 bars up to DN200 (10 bars over)
- . Do not use with pulsatory speed
- . Only for horizontal or ascendant vertical movement
- . Maximum Speed : 3 M. / Sec.

RANGE :

- . Between flanged GN10/16 carbon steel **Ref. 364** DN40 to DN300
- . Between flanged GN10/16 stainless steel **Ref. 365** DN40 to DN300

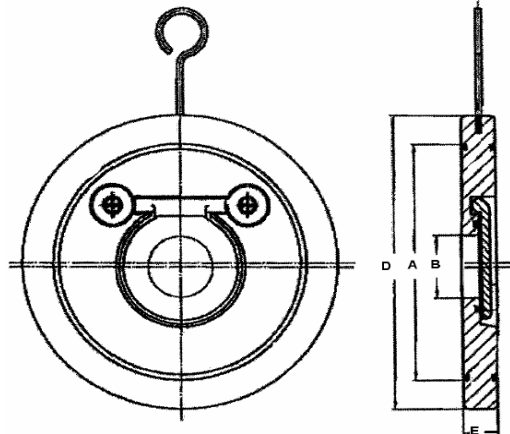
MATERIALS :

DESIGNATION	MATERIALS 364	MATERIALS 365
Body	Carbon steel	Stainless steel 316
Disc	Carbon steel	Stainless steel 316
Gasket	NBR	Viton



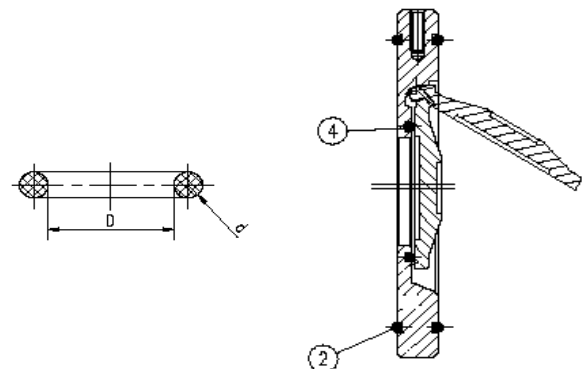
BODY SIZE :

Ref.	DN	40	50	65	80	100	125	150	200	250	300
364	D	93	109	129	144	164	194	220	275	330	380
	A	80	89	111	119	147	171	200	256	302	352
365	B	21	32	40	51,3	70	86	105	148	181	234
	E	14	14	14	14	18	18	20	22	26	28
	Weig.	0,63	0,84	1,16	1,53	2,34	3,14	3,98	6,6	11,54	24



GASKETS SIZE :

Ref.	DN	40	50	65	80	100	125	150	200	250	300
364	D4	26,7	37,2	44	58,2	75	94,2	116	156,2	193,5	242
	d4	3	3	3	4	4	5	5	6	6	7
365	D4	26,5	37,2	44	57,3	75	93,5	114,8	155	193	240,5
	d4	3	3	3	4	4	5	5	6	6	7
364/365	D2	71	87,5	98,5	118,5	135,5	160	187	239	287	337
	d2	4	3,5	3,5	3,5	3,5	5	5	5	6	6



STANDARDS :

- . DIRECTIVE 97/23/CE : Products excluded for Ref. 364
- . CE N° 0035 Risk category II for Ref. 365

ADVICE : Our opinion and our advice are not guaranteed and SFERACO shall not be liable for the consequences of damages. The customer must check the right choice of the products with the real service conditions.